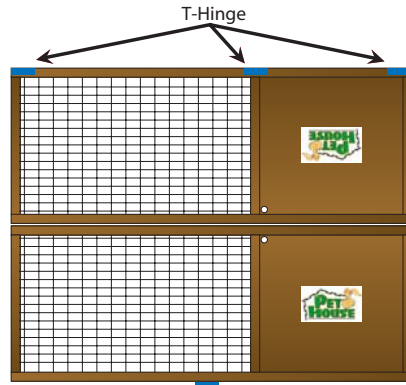
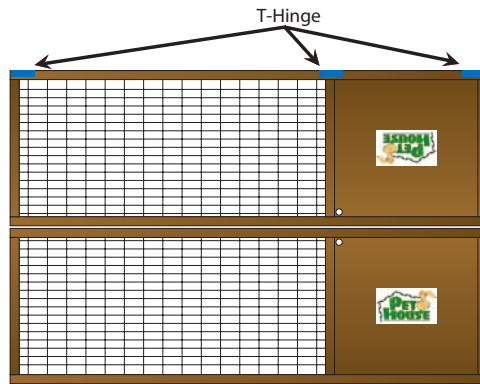


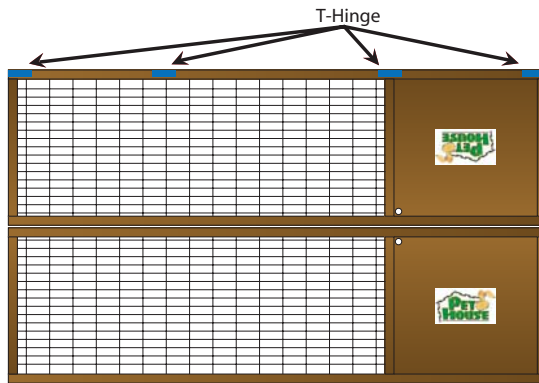
4x3
Contents



5x3
Contents



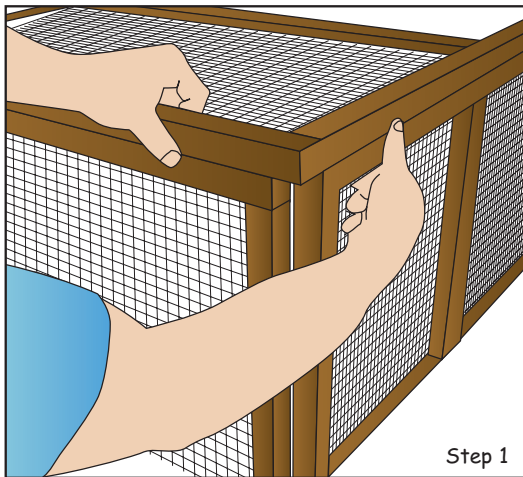
6x3
Contents



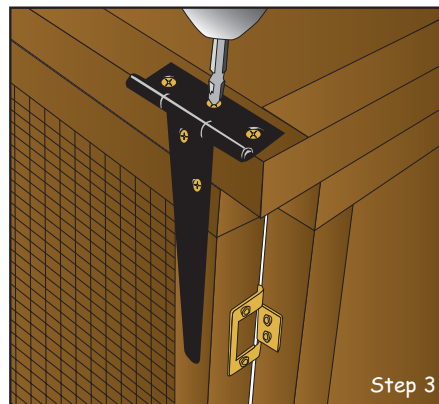
**MANUFACTURERS OF HIGH QUALITY RABBIT HUTCHES,
RUNS AND OTHER PET REQUIREMENTS**



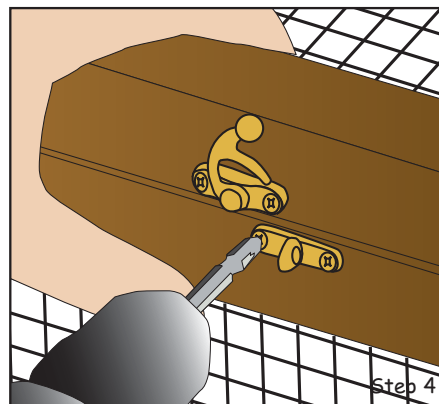
In order to help prolong the life of your hutch we recommend that it is cleaned regularly.



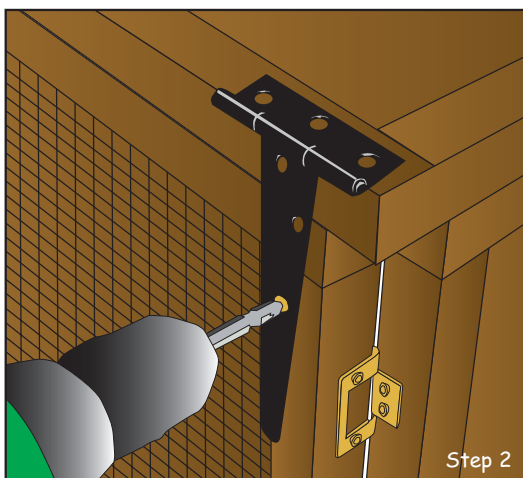
Step 1.
Open run out and place lid squarely on top, wire side down. Ensure sheltered lid area is adjacent to bottom ply area.



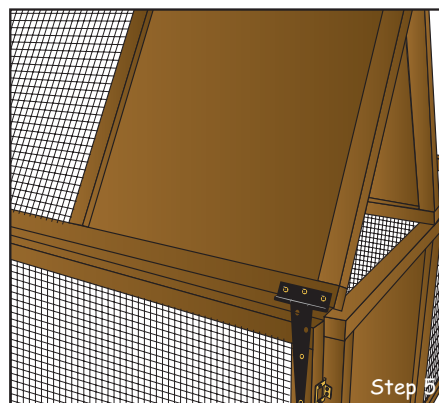
Step 3.
Screw top of T hinge to lid with 3 x 3/4" screws.



Step 4.
Fix clasp to secure run.



Step 2.
Place T hinge in each corner and screw to bottom part of run with 3 x 3/4" screws. Ensure hinge runs centrally down wood frame.



Step 5.
That's it...all done. You will now be able to slide lid panel up and down for access.